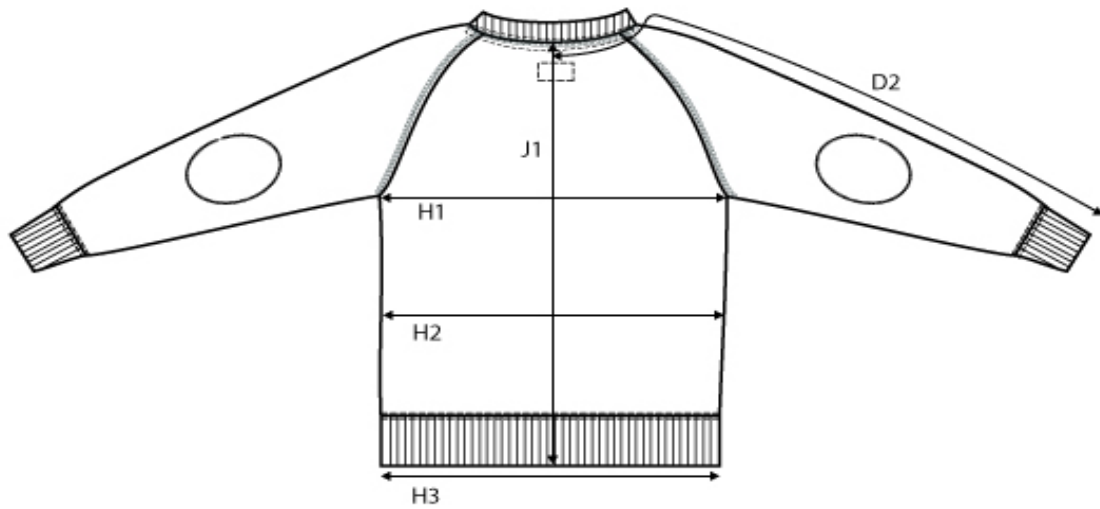
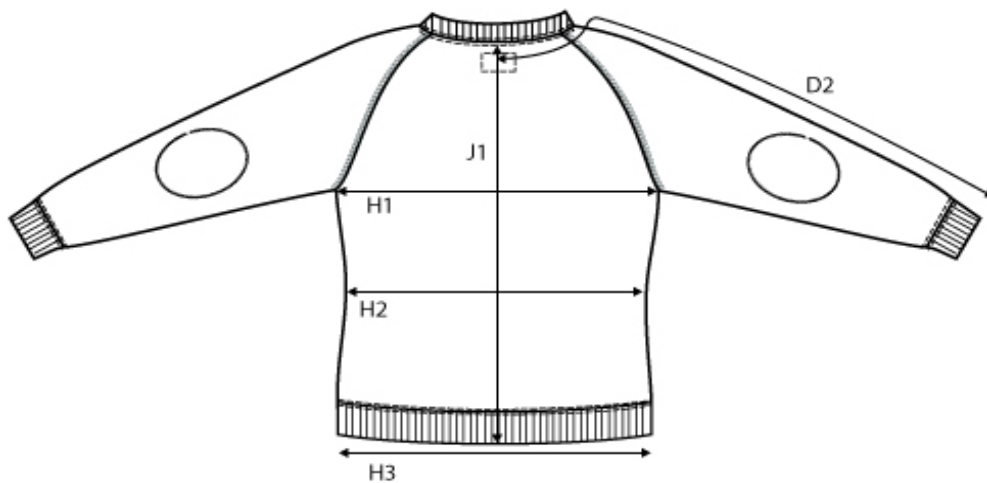


SIZE AND FIT: MILTON



MILTON MENS

Measurement (in cm)	Diagram	S	M	L	XL	XXL	3XL	4XL
Centre back to end of sleeve - raglan	D2	86.5	89	91.5	94	96.5	99	101.5
Chest Width at armhole	H1	52	55	58	61	64	67	70
Waist	H2	47.5	50.5	53.5	56.5	59.5	62.5	65.5
Bottom width - Rib bottom edge	H4	44.5	47.5	50.5	53.5	56.5	59.5	62.5
Full Length at centre back	J1	66	68	70	72	74	76	78



MILTON LADIES

Measurement (in cm)	Diagram	XS	S	M	L	XL	XXL
Centre back to end of sleeve - raglan	D2	77.5	79.25	81	82.75	84.5	86.25
Chest Width at armhole	H1	44	47	50	53	56	59
Waist	H2	40	43	46	49	52	55
Bottom width - Rib bottom edge	H4	38	41	44	47	50	53
Full Length at centre back	J1	58	60	62	64	66	68