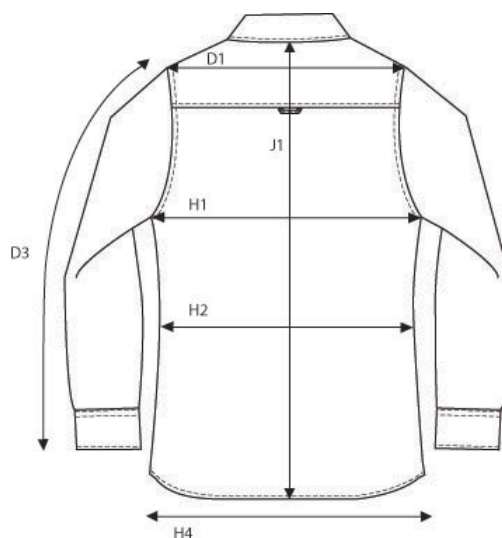
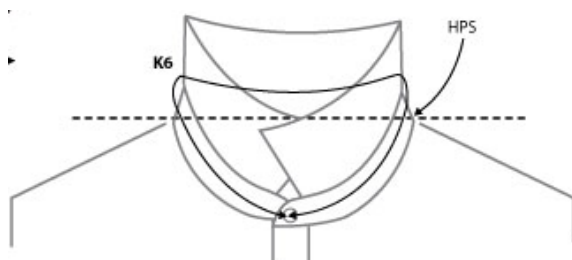
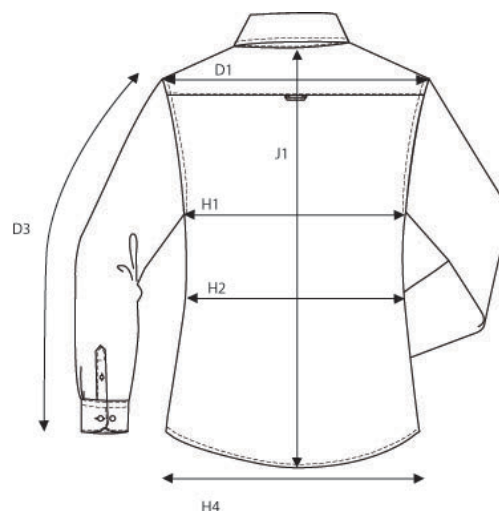
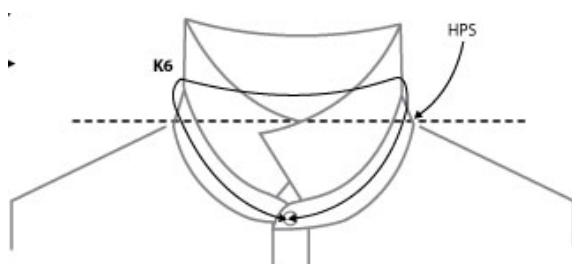


SIZE AND FIT: SAINT ANDREWS



SAINT ANDREWS Mens

Base size: M / Measurement (in cm)	Diagram	S	M	L	XL	XXL	3XL	4XL
COLLAR neck line CF to CF	K6	40,5	42	43,5	45	46,5	48	49,5
SHOULDER TO SHOULDER	D1	45	46	47	48,5	50	51,5	53
SLEEVE LENGTH from shoulder seam	D3	66	67,5	69	71	73	75	75
CHEST WIDTH at armhole	H1	52	54	56	59	62	65	68
WAIST	H2	49,5	51,5	53,5	56,5	59,5	62,5	65,5
BOTTOM WIDTH	H4	52	54	56	59	62	65	68
FULL LENGTH at centre back	J1	75	77	79	81	83	85	85



SAINT ANDREWS Ladies

Base size: M / Measurement (in cm)	Diagram	XS	S	M	L	XL	XXL
COLLAR - neck line from CF to CF	K6	36	37	38	39	40	41
SHOULDER TO SHOULDER	D1	40	41	42	43	44	45,5
SLEEVE LENGTH from shoulder seam	D3	62	63	64	65	66	67
CHEST WIDTH at armhole	H1	46	47	50	53	56	59
WAIST	H2	38	42	44	47	50	53
BOTTOM WIDTH	H4	45	48	51	54	57	60
FULL LENGTH at centre back	J1	63	65	68	70	72	74