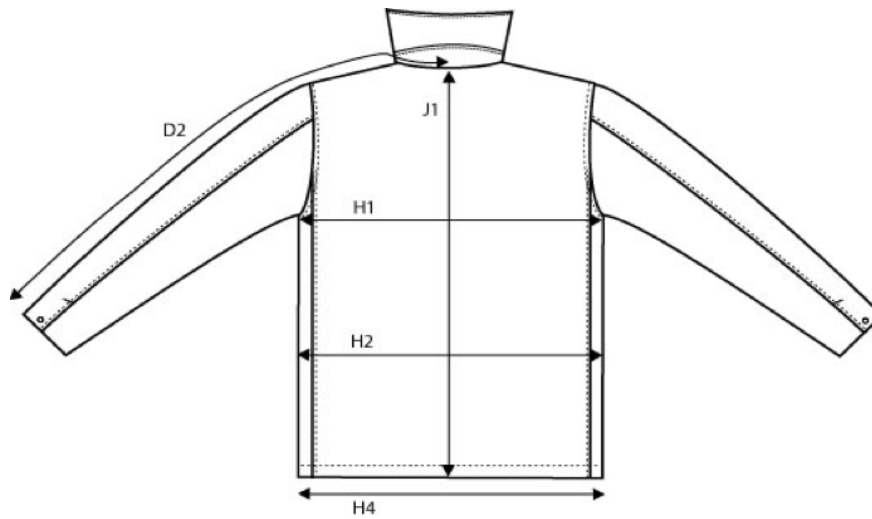
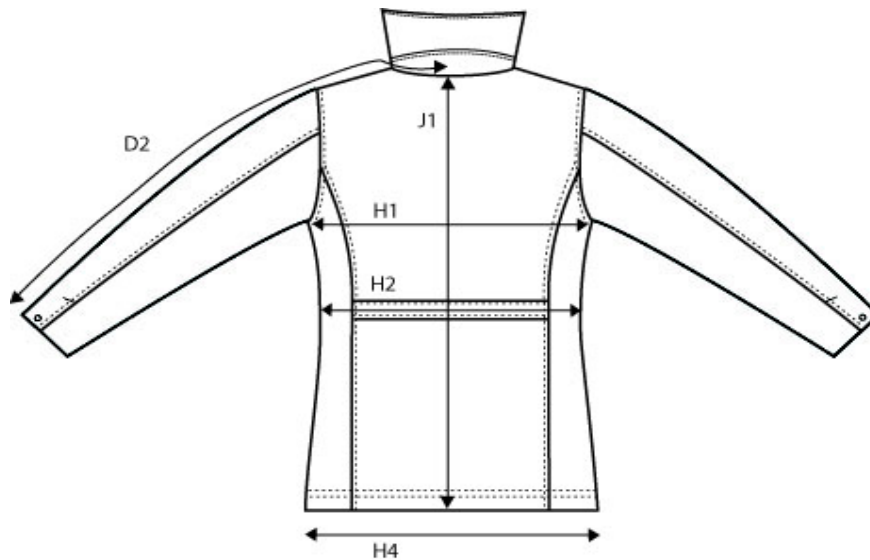


SIZE AND FIT: RICHMOND



RICHMOND MENS

Measurement (in cm)	Diagram	S	M	L	XL	XXL	3XL
Sleeve Length	D2	90	92	94	96	98	100
Chest Width	H1	56	59	62	65	68	71
Waist	H2	56	59	62	65	68	71
Bottom Width	H4	55,5	58,5	61,5	64,5	67,5	70,5
Full Length	J1	84	86	88	90	92	94



RICHMOND LADIES

Measurement (in cm)	Diagram	XS	S	M	L	XL
Sleeve Length	D2	84,5	84,5	86,5	88,5	90,5
Chest Width	H1	47	50	53	56	59
Waist	H2	45	48	51	54	57
Bottom Width	H4	51	54	57	60	63
Full Length	J1	80	82	84	86	88